

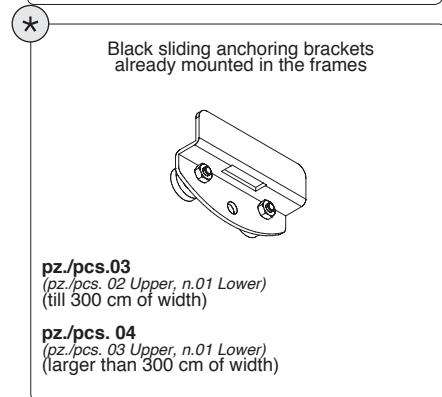
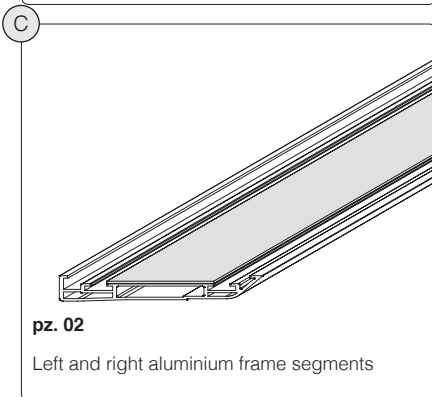
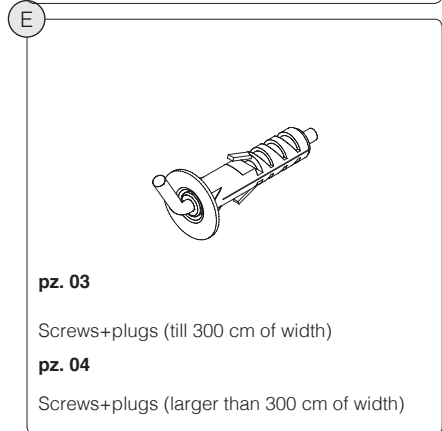
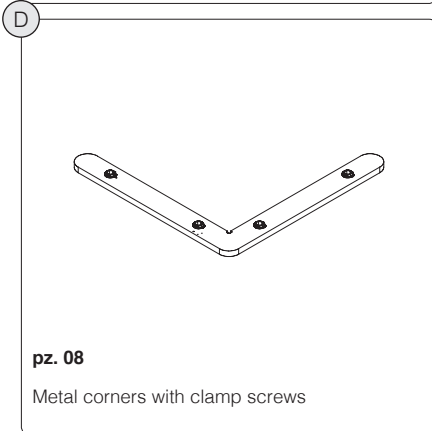
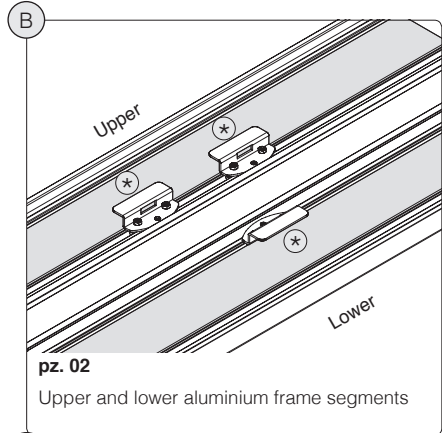
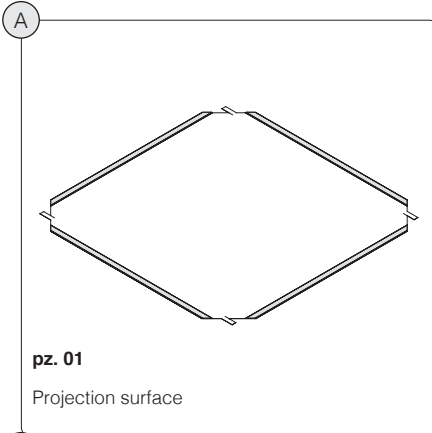


# ***INSTALLATION MANUAL***

## **EDGEVISION**



## COMPONENTI IN DOTAZIONE COMPONENTS INSIDE THE PACKAGING



a suitable packaging.

## WARNINGS

Before installing the screen, please read the following instructions carefully. We would recommend that these instructions are stored safely for future reference.

When opening the packaging of the screen, please **DO NOT USE CUTTERS or OTHER SHARP TOOLS** that can damage the screen inside. During opening the packaging and during installation, it is recommended to use work gloves. Depending on the screen weight, it has to be handled by at least two or three persons taking care to the following ratio KG/PERSON: MALE 25 kg. – FEMALE 15 kg.

After assembling the screen, there could result some wrinkles on the projection surface, due to packaging and transport.

These wrinkles will disappear within 48/72 hours, under the condition that the screen is installed inside a room with at least 20°C temperature. In case the room temperature is higher than 20°C, the wrinkles will disappear quicker.

In case of persistent wrinkles or if you need to remove the wrinkles in a very short time, we suggest to use an hairdryer.

Warning: use the hairdryer at least 40 cm. from the projection surface and move it constantly and evenly across the projection cloth.

If this warning is not respected, the surface could be damaged permanently.

In case during assembling of the projection cloth on the frame, the surface results apparently too small, please leave it 24 hrs in a room with 20-24°C temperature. After this, the cloth will be more elastic and it will be easier to mount it onto the frame. The manufacturer does not take responsibility for any damage to property or personal injury if the screen is used outside of recommended specifications or in case of incorrect/poor quality installation.

## CERTIFICATIONS

Edgevision **CE** certified

The surfaces for projection used on the products are cadmium-free and are fire-proof certified as follows:

## WARRANTY

This projection screen is guaranteed 2 years from the purchase date for manufacturing defects.

Responsibility is limited to repairing or substitution of the defected components and without any other charge at our expense.

Warranty is officially voided if:

- 1) the screen has been dismantled or it is returned with collision damage or defective due to incorrect installation;
- 2) the screen results damaged due to repairing or modifications made by non-authorized people;
- 3) the sticker regarding the serial number of the product has been altered, deleted, removed or is illegible.

**DO NOT** install this screen nearby or over heating or air conditioning systems, because PVC is a plastic material which dilates and remains damaged if it is subjected to heat and/or cool air.

**DO NOT** install this screen either facing direct sun light or blocking a window as PVC could be damaged for the explanations given above.

The PVC cloth is very sensitive to temperature range.

We advise you to wait 2 hours for the screen to acclimatise before using the screen after delivery, especially if screen is brought into a warm environment from cold.

**DO NOT WASH** the projection surface with alcohol or solvent nor with commercial cleaners. Every now and then dust the surface with a dry and clean duster.

Please, be very careful because any kind of stain on the PVC cloth is inererasable.

**DO NOT HANG TO THE SCREEN** and **DO NOT HANG ANY OBJECT** to it. Please take care that children **DO NOT PLAY** with the screen as they can get severely injured.

The manufacturer will not accept returns of screens for repair without manufacturer's authorization (RMA number) and without

## INSTALLATION INSTRUCTIONS

### 1. FRAME ASSEMBLY

The product has to be installed and used conform to the laws in force within the country where the product is used.

Lay the frame segments (B and C) on the floor with the grooves facing upwards. In order to avoid scratches to the frame we advise you to lay the frame on a soft and clean cloth.

Insert in each corner the two metal corners with clamp screws (D), see Fig. 1.

After the four corners are assembled, align the frame taking care that **the two diagonals have the same length**. Now screw tightly all the clamp screws (Fig. 2).

### 2. PROJECTION SURFACE ASSEMBLY

On a clean surface, please lay the projection surface (A) with the reflecting side facing downwards (see green sticker quoting "Projection Side").

Position the frame carefully onto the projection surface, taking care that the grooves' side faces upwards.

*In case there is a seam in the viewing area of the projection cloth, please take care to mount the projection cloth onto the frame so that the seam will result on the upper (higher) part of the screen.*

Now proceed with fixing the cloth to the frame using the Velcro strips already placed on the cloth and on the frame, starting from one vertical side, taking care to position the tabs on each side (see Fig. 4) perfectly aligned with the corner of the frame. Successively, repeat the same operations for the other vertical side, paying attention to stretch as much as possible the surface before fixing it onto the Velcro strip on the frame (see Fig. 5 and 6).

Now, **bend one of the two horizontal sides of the projection surface, starting from the centre and moving along the two sides**.

Before closing right and left corners, bend the tabs to the long frame segment (Fig. 7) and fix the surface to the horizontal frame part, taking care to stretch as much as possible the surface before fixing it onto the Velcro strip on the frame.

### 3. WALL ANCHORING

Edgevision is provided with sliding anchoring brackets (\*) which allow an easy wall positioning, using the supplied screws and wall plugs (E).

**ALL FRAME SCREENS ARE SUPPLIED WITH AN ANCHORING BRACKET ON THE HORIZONTAL BOTTOM PART OF THE FRAME IN ORDER TO GUARANTEE THE SQUARENESS OF THE FRAME AND TO AVOID FALLING DOWN IN CASE OF LIFTING.**

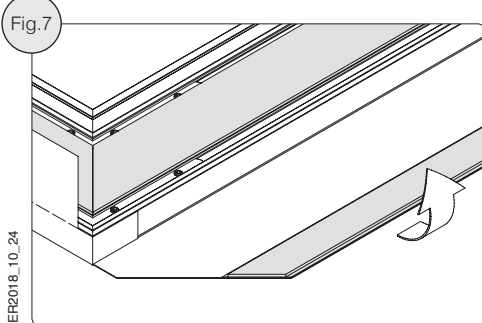
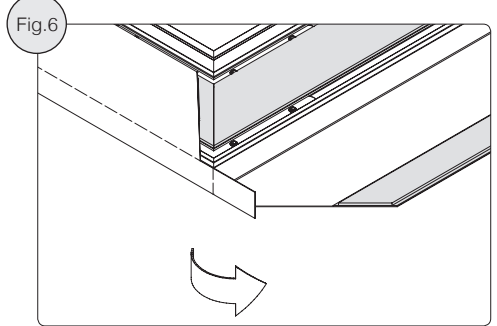
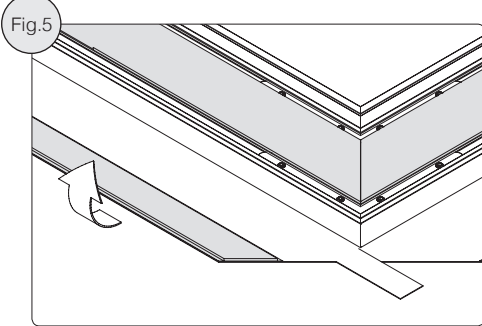
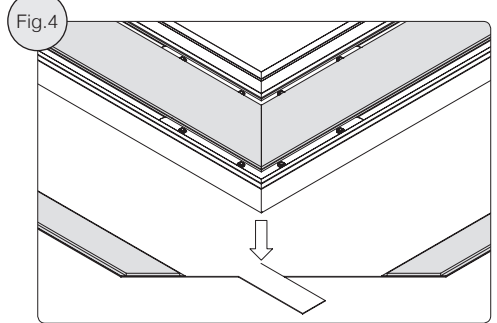
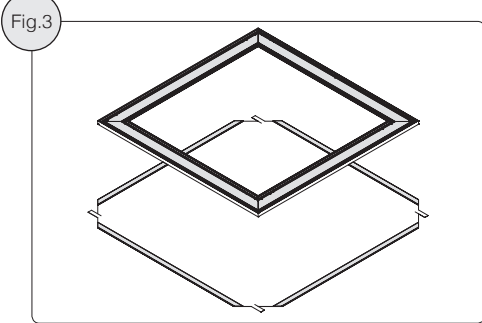
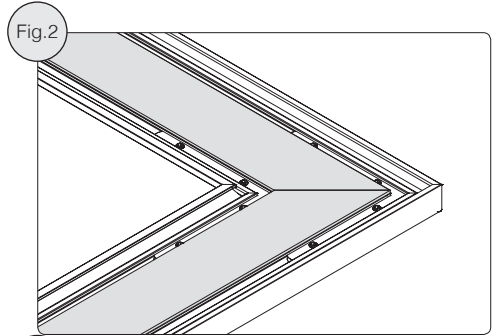
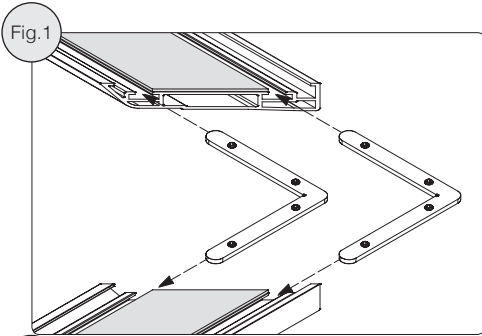
The manufacturer guarantees the squareness of the frame after the installation, only if the frame is hanged to the wall with all the anchoring brackets mounted on the upper and bottom part of the frame.

At the end of the installation, please check that the frame is perfectly levelled.

**CAUTION: CHECK EVERY 6 MONTHS THAT SCREWS, WALL PLUGS AND BRACKETS ARE IN GOOD CONDITIONS AND WELL TIGHTENED.**

**IT IS FORBIDDEN TO STAY UNDER THE PROJECTION SCREEN.**

**IT IS FORBIDDEN TO USE THE PROJECTION SCREEN OUTDOOR.**



## STAFFE MOUNTING DISTANCES OF BRACKETS

