



Let us share our  
**expertise** with you



Large motorized screens  
**Widevision**



Large motorized  
screen  
**Widevision**

# Large motorized screens **Widevision**



From 450 to 700 cm wide.

**WIDEVISION** is a range of motorized screens suitable to cover dimensions from 450 cm. up to 700 cm. of width. These screens are mainly used in large environments like meeting rooms, universities, small theatres, hotels. Very reliable screens are supplied with a black RAL 9005 or white RAL 9010 aluminium housing suitable to fit different aesthetic situations.

The wide range of fabrics available satisfy almost all the various projection needs.

## Specifications



made-to-measure

## Technical specifications :

- Silent motor system provides a smooth and quiet operation
  - Power: 40 Nm
  - Speed: 17 rpm
  - Power supply: 230V / 50 Hz
  - Consumption: 322 W
  - Certification: IMQ
- Strong steel and aluminium construction
- Aluminium housing with multiple fixing points, using sliding brackets for a variety of installation options.
- Black dowel bar: height 35 mm. - depth 20 mm.
- Black bottom border of 10 cm. (standard)
- Housing painted with black (RAL 9005) or white (RAL 9010) powders.
- Ceiling mounting brackets: 3 pcs until 6m wide and 4 pcs for 7m wide.
- On/Off/stop switcher included
- Power cable located at right side of the screen housing seen from the front
- Flame retardant projection surfaces - classification M1 and B1
- Side black borders of 5 cm. (optional)
- Wall mounting brackets (optional)
- Screen housing available in different colours (optional)

**Included :** ceiling mounting brackets and on/off/stop switcher

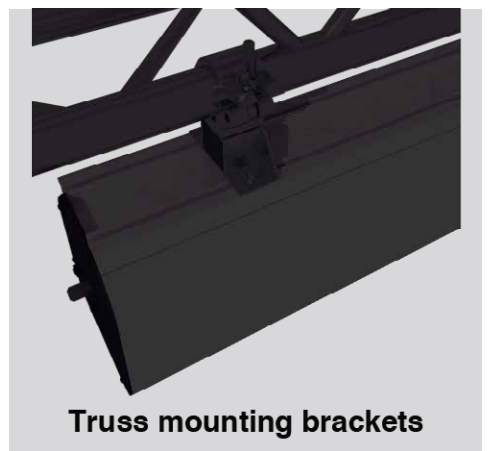
**Optional false ceiling trim kit**

**Large motorized screen**  
**Widevision**



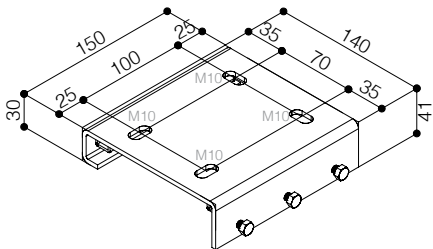
Large motorized  
screen  
Widevision

A Widevision  
at the Concert  
Noble, Brussels.

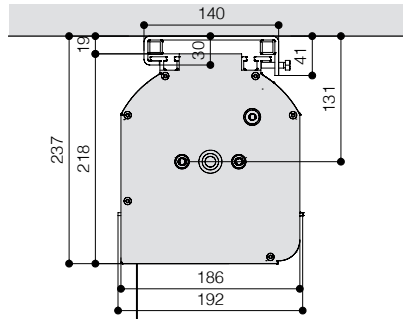


# Sizes

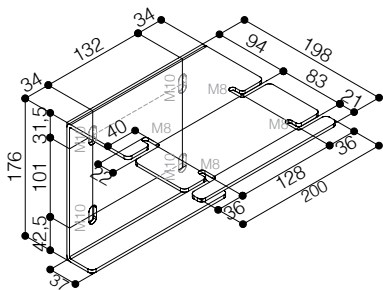
**CEILING MOUNTING BRACKET**



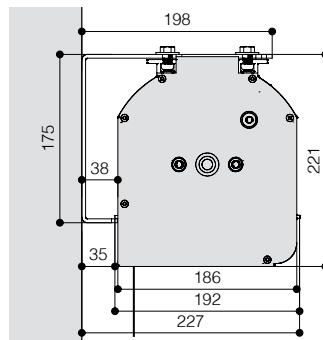
**CEILING MOUNTING**



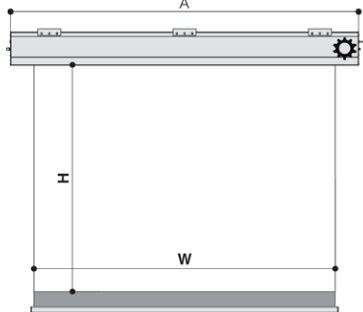
**WALL MOUNTING BRACKET (optional)**



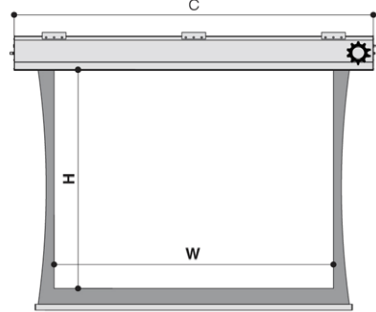
**WALL MOUNTING**



**PRO**



**TENSIO**



Widevision			Tensioned			
Viewing sizes (cm) (W x H)			Black Borders 5cm with black top drop of 30 cm Black weighting bar		Black Borders 5cm with black top drop of 30 cm Black weighting bar	
4:3	16:9	16:10	Length housing	Approx. weight	Length housing	Approx.weight
450 x 337	450 x 253	450 x 281	N/A		520	89
500 x 375	500 x 281	500 x 313	520	89	N/A	
550 x 412	550 x 309	550 x 344	N/A		620	106
600 x 450	600 x 337	600 x 375	620	106	N/A	
650 x 487	650 x 366	650 x 406	N/A		720	124
700 x 525	700 x 394	700 x 437	720	124	N/A	

Large motorized  
screen  
Widevision